

# G350



G350 is the best replacement of a 25W-40W incandescent lamp. It is up to 80% energy efficient and up to 50% less heat generated comparing to a 25W-40W incandescent lamp.

## ✓ Applications

Indoor general lighting, task lighting, ambient lighting

## » Features

1. High power efficacy
2. Long life span
3. Incandescent E27 lamp base
4. Specially designed glass cover
5. Cool beam technology
6. Mercury and lead are not present
7. Almost zero UV and IR emissions
8. Universal burning positions

## ★ Benefits

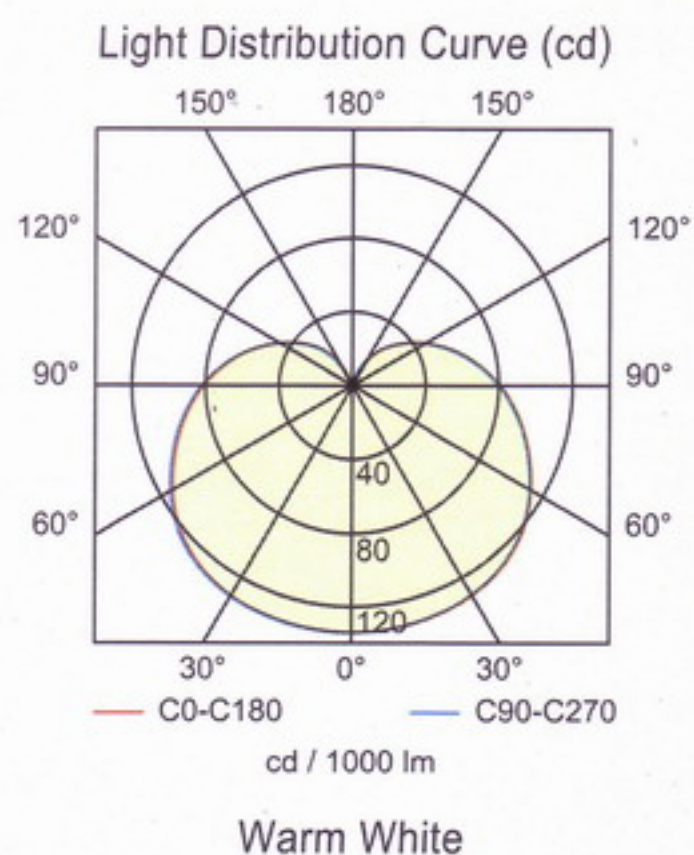
1. Can replace 25W-40W incandescent lamp
2. Up to 80% cost saving in energy consumption\*
3. Up to 35 times longer life and therefore reduce maintenance costs\*
4. Up to 50% less heat generated and therefore save air conditioning costs\*
5. Suitable for existing luminaires and direct replacement of incandescent lamp
6. Allow omnidirectional light emissions
7. Light up instantly

\*compared with 25W-40W incandescent lamp





Photometric Diagram



Specifications

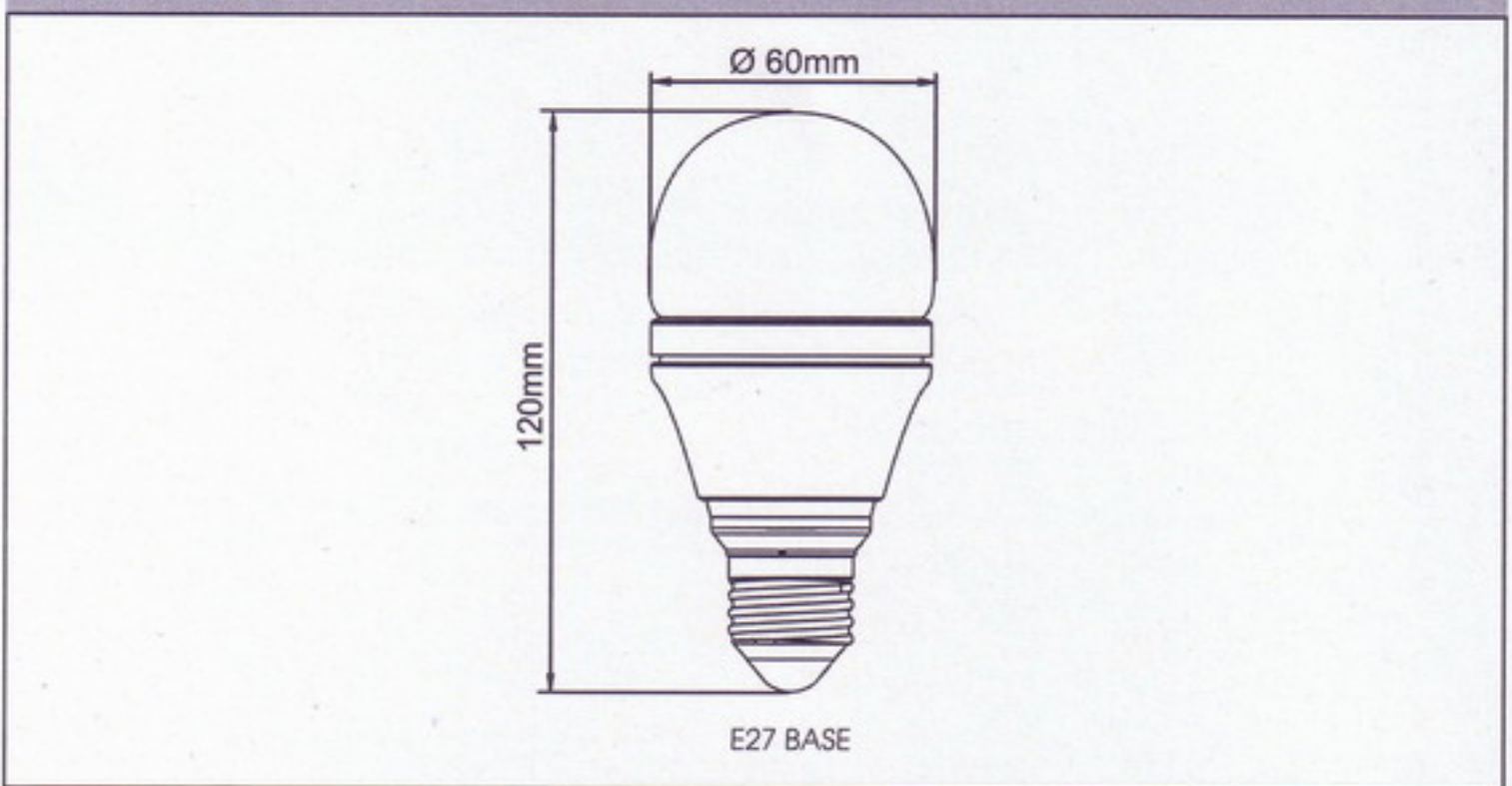
Product Name	G350 E27 LED Lamp	
Part No.	1413280111	1413600111
Color	Warm White	Daylight
Color Temp (CCT)	3000 K	6500 K*
Lamp Base	E27	
Color Rendering Index (CRI)	80 Ra	
Input Voltage	230V AC	
Rated Current	80 mA	
Rated Frequency	50/60 Hz	
Lumen Output	350 lm	420 lm
Total Power	7.4 W	
Lumen Efficacy	47.3 lm/W	56.8 lm/W
Life Span	25,000 hrs	
Operating Temperature	-20°C ~ +60°C	
Storage Temperature	-30°C ~ +65°C	
Application	Indoor	
Dimmable	No	
RoHS	Yes	

Material

LED Brand	Lumileds
Housing	Aluminum
Housing Color	Silver
Optics	Frosted Glass

\*Upon request

Dimension



Icons representing specifications: 230V AC, 50/60 Hz, 7.4 W, Operating Temp -20°C ~ 60°C, Indoor use, RoHS, CE, and a recycling symbol.